

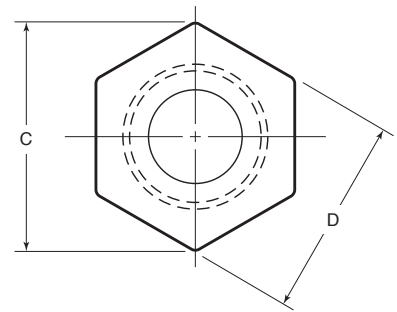
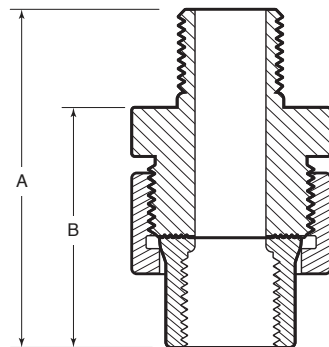
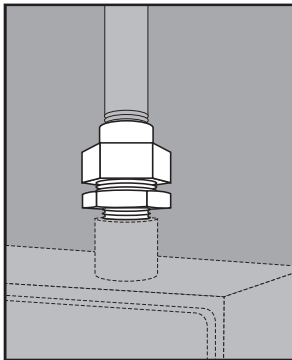
STAINLESS STEEL - HAZARDOUS LOCATION FITTINGS

UNY FITTINGS



APPLICATION

- Also known as male explosion-proof unions
- Designed for use in hazardous area locations to join threaded lengths of conduit or to connect rigid conduit to devices, boxes, or enclosures
- Manufactured in stainless steel to help prevent corrosion
- Can be installed using ordinary hand tools and require little maintenance or repair
- Provided in a bright, polished finish that does not require touch up or painting



PRODUCT DETAILS

Material:

- Body: 316 SS
- Nut: CF8M (316 SS)
- Insert: 316 SS

Standards:

ASTM A351, ASTM A479

Country of Origin:

Manufactured in USA

Part Number	Size	Weight/ 100 (lbs.)	Dimension (in.)			
			A	B	C	D
UNY50	½ in.	67	2.66	1.88	1.71	1.50
UNY75	¾ in.	92	2.67	1.88	2.06	1.81
UNY100	1 in.	122	3.04	2.05	2.29	2.00

